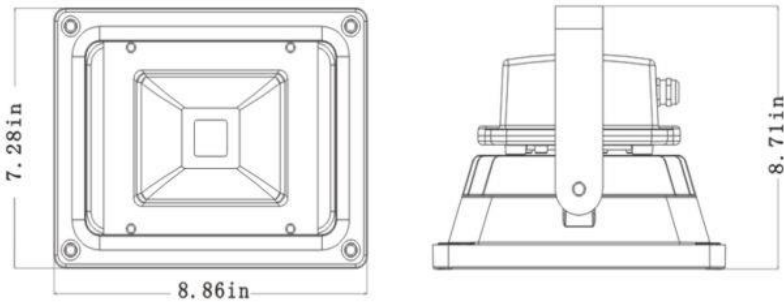




EV-LEDFLOOD-30W2

LED Flood Light 30W (Replace 70W-150W MH) UL Approved

- 30W LED Floodlight, 100-240V AC, UL Approved
- Neutral white, 4500K, 120 degree Beam Angle, IP65 Splash Proof
- Die-Cast Aluminum Shell, Adjustable bracket for Wall Mount.
- LED Initial Flux:>2700lm, >70 CRI (USA Bridgelux LED)
- Input Voltage: AC100~ 240V / 50-60 Hz, >0.85 PF
- Operational Temp, -20C to 40C
- Dimensions: 8.86" x 7.28" x 8.71" (225 x 185 x 135mm)
- Extensive LED lifetime, up to 50,000 hours, 2 yr Warranty
- CE, ROHS, UL Approved
- Weight 5.0Lb



Luminance

