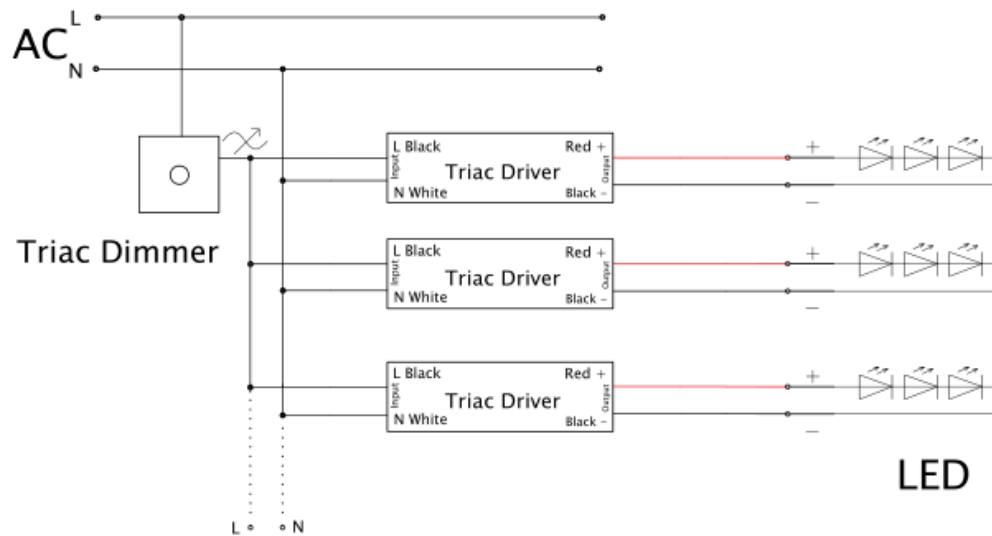




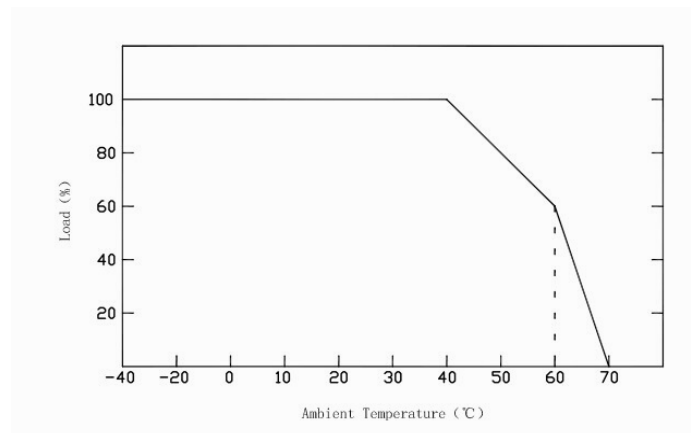
## Note:

- All parameters if NOT specifically noted are measured at 120VAC input, rated load and 25C ambient temperature.
- To extend the driver's useful life, please reduce the loading at lower input voltage



- Input Rubber wire 3\*18AWG, AC L (Black) and N (White) ,Green (GND / Earth)
- Output Rubber wire, 2\*16AWG Red to LED Positive (+) , Black to LED Negative (-)

## Derating Curve



- To extend product life, please refer to the Derating Curve and derate according to the temperature
- Please make sure the driver is installed with adequate ventilation around it to allow for heat dissipation



## Dimensions

