



EV-24V-80D

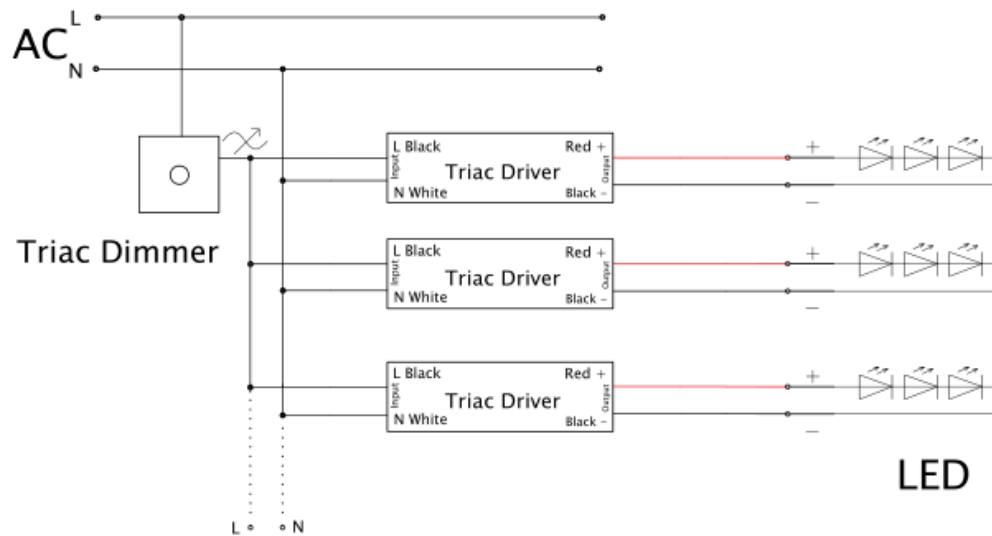
24V 80W Dimmable CV DC LED Driver UL approved

- Universal AC Input 100~277V AC, 47-63Hz, Pf 0.98@120V, 0.95@277V
- DC Output: 24V 80W (3.33A), Constant Voltage
- Dimmable, Suitable for Leading Edge, Trailing Edge TRIAC, MLV, ELV
- Protection: Short-Circuit / Over Load / Over Temp. Auto-recovery mode once Fault removed
- Full protection IP65 aluminum housing, for dry, damp, wet location
- Approvals: **UL / cUL, FCC**, RoHS, Class 2, Class P, Class HL
- Wire Connection (Input: N, L, GND. Output: +V, -V)
- Efficiency: 82%, THD: <20% (full load)
- Input AC 1.3A@100VAC, Inrush Current 20A, 50%, 1.6ms, Leakage Current <0.50mA
- -20C to +45C, full load, storage -40/+80C, 20 to 90% RH NC (See derating curve)
- Vibration: 10~500Hz, 5G 10min./1 cycle, period for 60min. each along X,Y,Z axes
- Standard: UL8750+UL1310. FCC Part 15 B
- Withstand I/P-O/P:1.88KVac, Isolation: I/P-O/P:100MΩ/500VDC/25°C/70%RH
- Load Regulation: +-1%, Voltage Regulation: +-0.5V
- Family of Drivers, 12 & 24V, 30W, 60W, 80W, 96W, 100W, 120W, 150W, 200W, 300W
- Size: 9.06" L x 2.76" W x 1.69" H, 230*70*43mm (L*W*H)
- Weight: 2.31lb, 1.05Kg
- 2 year warranty



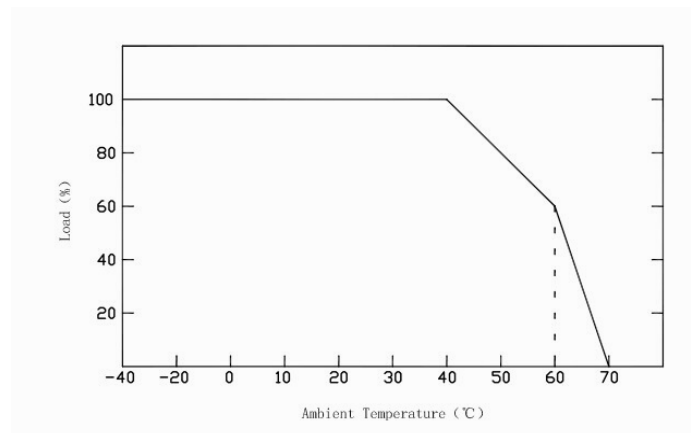
Note:

- All parameters if NOT specifically noted are measured at 120VAC input, rated load and 25C ambient temperature.
- To extend the driver's useful life, please reduce the loading at lower input voltage



- Input Rubber wire 3*18AWG, AC L (Black) and N (White) ,Green (GND / Earth)
- Output Rubber wire, 2*16AWG Red to LED Positive (+) , Black to LED Negative (-)

Derating Curve



- To extend product life, please refer to the Derating Curve and derate according to the temperature
- Please make sure the driver is installed with adequate ventilation around it to allow for heat dissipation



Dimensions

